

INICIO

MÉDIA C

1º ENDURO DAS CACHOEIRAS
04 DE NOVEMBRO DE 2017



IMPORTANTE

O PILOTO QUE ANDAR SEM CAPACETE ANTES DA PROVA SERA PENALIZADO COM A DESCLASSIFICAÇÃO.
RESPEITE AS ROÇAS PARA TERMOS TRILHAS.



CUIDADO



ATENÇÃO



MUITA ATENÇÃO

Tempo de Prova

MÉDIA C 03:19:21



AFERIÇÃO

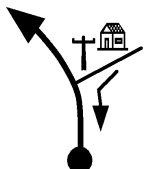
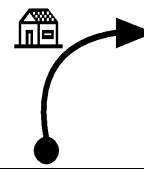
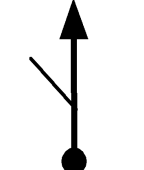
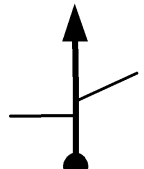
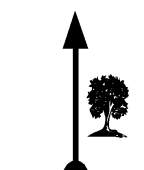
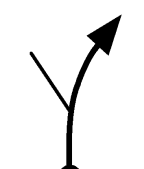
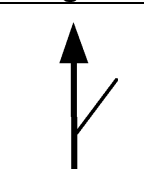
INICIO AFERIÇÃO



0.00

1

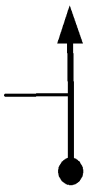
AFER

	0.63
	2 AFER
	0.80
	3 AFER
	1.04
	4 AFER
	1.11
	5 AFER
EUCALIPTO	
COM BAMP	
	1.86
	6 AFER
	2.20
	7 AFER
	2.23
	8 AFER

FIM DA AFERIÇÃO

VOLTE AO INICIO

COM CUIDADO



2.45

0.00

9

AFER



INICIO DE PROVA



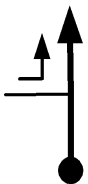
0.00

V 42 00.00.00

10

T1

CUIDADO MOTOS



1.33

V 33 00.01.54

11

T2



1.37

V 33 00.01.58

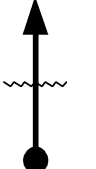
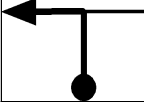


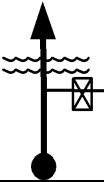
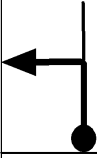

12

T2

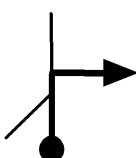
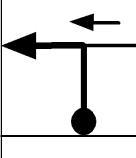
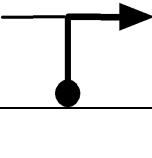
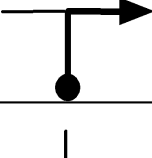

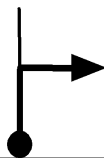

	1.39
	V 33 00.02.01
	13 T2
	3.09
	V 33 00.05.06
	14 T2
	3.15
	V 33 00.05.13
	15 T2
	3.66
	V 33 00.06.08
	16 T2
	3.74
	V 27 00.06.17
	17 T3
	3.96
	V 27 00.06.46
	18 T3
	4.22
	V 15 00.07.21
	19 T4

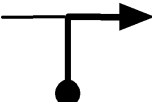
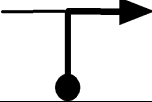
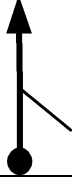
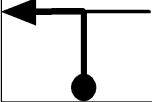



	4.26	V 15	00.07.30
		20	T4
	4.48	V 27	00.08.23
		21	T5
	4.75	V 27	00.08.59
		22	T5
	4.87	V 27	00.09.15
		23	T5
	4.90	V 27	00.09.19
		24	T5
	4.99	V 21	00.09.31
		25	T6
CUIDADO MOTOS			
	5.07	V 21	00.09.45
		26	T6

	5.10
	V 21 00.09.50
	27 T6
	5.19
	V 21 00.10.06
	28 T6
	5.28
	V 21 00.10.21
	29 T6
	5.53
	V 21 00.11.04
	30 T6
CUIDADO	
DESCIDA LISA	
	5.56
	V 15 00.11.09
	31 T7
	5.64
	V 15 00.11.28
	32 T7
	5.72
	V 15 00.11.47
	33 T7

	5.85
	V 9 00.12.19
	34 T8
	5.89
	V 9 00.12.35
	35 T8
	5.99
	0.00
	NI'30 00.13.15
36 T9	
	0.00
	V 33 00.14.45
	37 T10
	0.50
	V 33 00.15.39
	38 T10
	0.58
	V 24 00.15.48
	39 T11
	0.80
	V 24 00.16.21
	40 T11

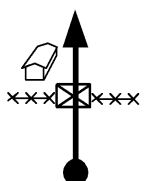
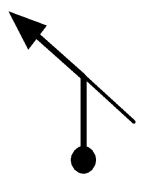

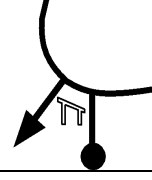
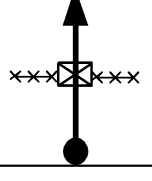
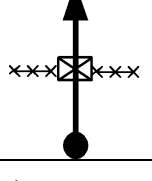
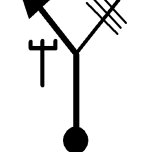
	1.07	
	V 24	00.17.01
	41	T11
	1.19	
	V 24	00.17.19
	42	T11
	1.22	
	V 24	00.17.24
	43	T11
	1.31	
	V 24	00.17.37
	44	T11
	1.40	
	V 21	00.17.51
	45	T12
	1.48	
	V 21	00.18.05
	46	T12
	1.59	
	V 21	00.18.23
	47	T12

	1.65	
	V 21	00.18.34
	48	T12
	1.84	
	V 21	00.19.06
	49	T12
	1.93	
	V 21	00.19.22
	50	T12
	1.97	
	V 21	00.19.29
	51	T12
	2.08	
	V 21	00.19.47
	52	T12
	2.28	
	V 21	00.20.22
	53	T12
	2.34	
	V 21	00.20.32
	54	T12

	2.44	
	V 21	00.20.49
	55	T12
	2.47	
	V 21	00.20.54
	56	T12
	2.58	
	V 21	00.21.13
	57	T12
	2.88	
	V 27	00.22.05
	58	T13
	3.08	
	V 27	00.22.31
	59	T13
		
	3.94	
	V 12	00.24.26
	60	T14


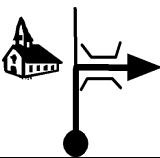

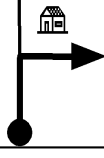



DEVAGAR

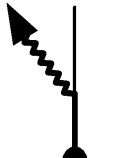
RESPEITE AS CASAS

	4.02
	V 12 00.24.50
	61 T14
	4.18
	NI'30 00.25.38
	62 T15
	4.18
	V 30 00.27.08
	63 T16
	4.35
	V 30 00.27.28
	64 T16
	5.00
	V 30 00.28.46
	65 T16
	5.10
	V 30 00.28.58
	66 T16
	5.17
	V 30 00.29.07
	67 T16

	5.22	
	V 30	00.29.13
	68	T16
	5.43	
	V 18	00.29.38
	69	T17
	6.56	
	V 30	00.33.24
	70	T18
	6.67	
	V 30	00.33.37
	71	T18
	7.00	
	V 30	00.34.17
	72	T18
	7.47	
	V 30	00.35.13
	73	T18
	7.73	
	V 24	00.35.44
	74	T19

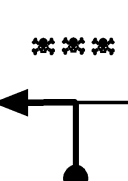
	7.79
	V 24 00.35.53
	75 T19
	7.84
	V 24 00.36.01
	76 T19
	8.26
	V 24 00.37.04
	77 T19
	8.41
	V 24 00.37.26
	78 T19
	8.68
	V 24 00.38.07
	79 T19
	8.75
	V 24 00.38.17
	80 T19
	9.71
	0.00
	N 1' 00.40.41
	81 T20


	0.00
	V 33 00.41.41
	82 T21
	0.06
	V 33 00.41.48
	83 T21
	0.09
	V 33 00.41.51
	84 T21
	1.56
	V 24 00.44.32
	85 T22
	1.84
	V 24 00.45.14
	86 T22
	1.87
	V 24 00.45.18
	87 T22
RESPEITE	
AS ROÇAS	
	1.92
	V 18 00.45.26
	88 T23

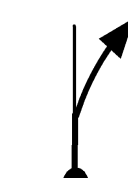
	2.03	
	V 24	00.45.48
	89	T24

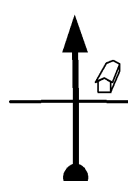
CUIDADO PERIGO

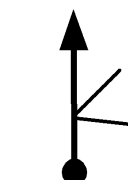
ACERTAR ODOMETRO LARGAR

DO NEUTRO COM 0,11		
	2.37	
	0.00	
	N 1'	00.46.38
	90	T25

	0.00	
	V 45	00.47.38
	91	T26

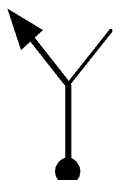
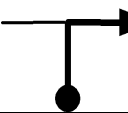
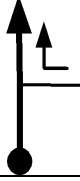
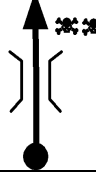
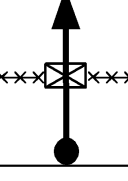
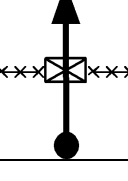
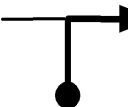
	0.65	
	V 24	00.48.30
	92	T27


	1.72	
	V 24	00.51.11
	93	T27


	1.83	
	V 24	00.51.28
	94	T27

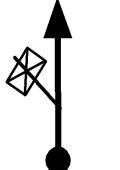
	1.98
	V 18 00.51.50
	95 T28
CUIDADO	
PERIGO	
	2.33
	V 21 00.53.00
	96 T29
	2.80
	V 21 00.54.21
	97 T29
	2.92
	V 21 00.54.41
	98 T29
	3.01
	N 1' 00.54.57
	99 T30
	3.01
	V 36 00.55.57
	100 T31
	3.57
	V 36 00.56.53
	101 T31

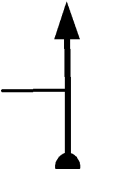
	3.63	
	V 36	00.56.59
	102	T31
	3.70	
	V 36	00.57.06
	103	T31
	3.74	
	V 36	00.57.10
	104	T31
	4.47	
	V 27	00.58.23
	105	T32
	4.62	
	V 27	00.58.43
	106	T32
	4.66	
	V 21	00.58.48
	107	T33
	4.73	
	V 21	00.59.00
	108	T33

	4.74	V 21 00.59.02
	109	T33
	4.75	V 21 00.59.03
	110	T33
	5.77	V 18 01.01.58
	111	T34
CUIDADO		
PERIGO		
	6.12	V 21 01.03.08
	112	T35
	6.59	V 21 01.04.29
	113	T35
	6.71	V 21 01.04.49
	114	T35
	6.80	NI'30 01.05.05
	115	T36

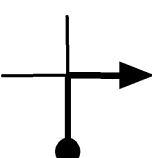
	6.80	
	V 27	01.06.35
	116	T37

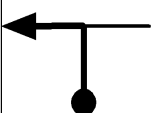
	6.86	
	V 27	01.06.43
	117	T37

	7.05	
	V 27	01.07.08
	118	T37

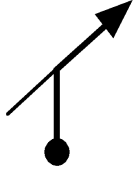
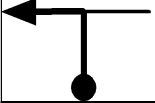
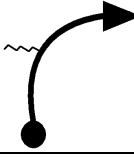
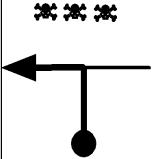

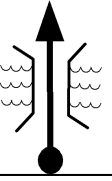
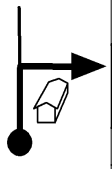
	8.00	
	V 27	01.09.15
	119	T37

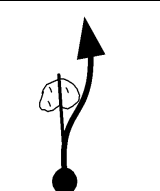
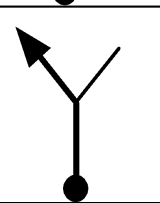
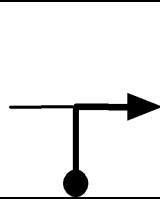
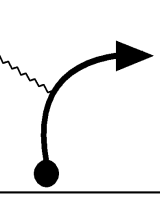
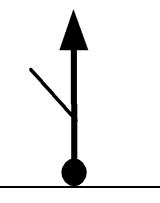
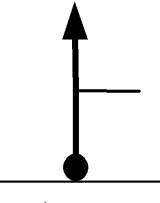
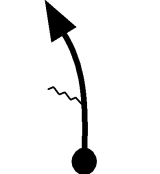


	8.03	
	V 18	01.09.19
	120	T38


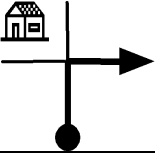
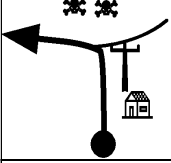



	8.07	
	V 18	01.09.27
	121	T38

	8.12
	V 18 01.09.37
	122 T38
	8.37
	V 24 01.10.27
	123 T39
	8.44
	V 24 01.10.37
	124 T39
	8.56
	V 24 01.10.55
	125 T39
RESPEITE	
AS ROÇAS	
	8.66
	V 24 01.11.10
	126 T39
	8.70
	V 24 01.11.16
	127 T39
	8.71
	V 24 01.11.18
	128 T39

	8.76
	V 24 01.11.25
	129 T39
	9.41
	V 24 01.13.03
	130 T39
	9.67
	V 24 01.13.42
	131 T39
	9.99
	0.00
	N 1' 01.14.30
	132 T40
	0.00
	V 33 01.15.30
	133 T41
	0.07
	V 33 01.15.37
	134 T41
	0.20
	0.00
	V 24 01.15.52
	135 T42

	0.08
	V 27 01.16.04
	136 T43
	0.48
	V 27 01.16.57
	137 T43
	0.63
	V 27 01.17.17
	138 T43
	0.84
	V 27 01.17.45
	139 T43
	1.00
	V 27 01.18.06
	140 T43
	1.27
	V 27 01.18.42
	141 T43
	1.56
	V 27 01.19.21
	142 T43

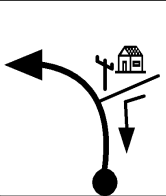
	1.81
	V 18 01.19.54
	143 T44
	2.31
	V 18 01.21.34
	144 T44
	2.38
	V 18 01.21.48
	145 T44
	2.47
	V 18 01.22.06
	146 T44
	2.70
	V 27 01.22.52
	147 T45
	3.16
	V 27 01.23.54
	148 T45
	3.19
	V 27 01.23.58
	149 T45

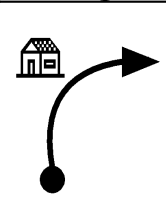
	3.95
	V 24 01.25.39
	150 T46
	4.00
	V 15 01.25.46
	151 T47
	4.20
	V 30 01.26.34
	152 T48
APIOIO	
RETORNE	
	4.82
	0.00
	N 16' 01.27.49
153 T49	
	0.00
	V 39 01.43.49
	154 T50
	0.00
	V 39 01.43.49
	155 T50

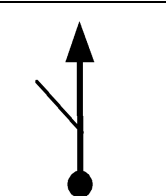
CUIDADO

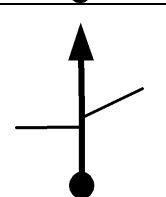
MOTOS

SAINDO

	0.63
	V 39 01.44.47
	156 T50

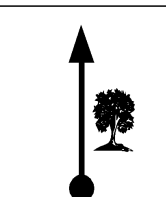
	0.80
	V 39 01.45.03
	157 T50

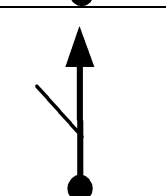
	1.04
	V 39 01.45.25
	158 T50

	1.11
	V 39 01.45.31
	159 T50

EUCALIPTO

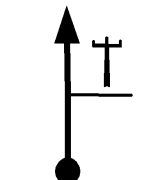
COM BAMP

	1.86
	V 39 01.46.40
	160 T50

	2.20
	V 39 01.47.12
	161 T50

	2.23	
	V 39	01.47.15
	162	T50
	2.45	
	V 39	01.47.35
	163	T50
	2.92	
	V 39	01.48.18
	164	T50
	3.57	
	V 27	01.49.18
	165	T51
	4.63	
	V 27	01.51.40
	166	T51
	4.74	
	V 27	01.51.54
	167	T51
	4.89	
	V 27	01.52.14
	168	T51

	5.90
	V 12 01.54.29
	169 T52
	5.91
	V 12 01.54.32
	170 T52
	5.92
	V 27 01.54.35
	171 T53
	5.99
	V 27 01.54.44
	172 T53
SIGA	
BAMPS	
	6.03
	V 27 01.54.50
	173 T53
	6.18
	N 2' 01.55.10
	174 T54
	6.18
	V 45 01.57.10
	175 T55

	6.90
	V 39 01.58.07
	176 T56
	7.13
	V 39 01.58.28
	177 T56
	7.81
	V 30 01.59.31
	178 T57
CUIDADO	
PONTE	
ESTREITA	
	8.11
	V 30 02.00.07
	179 T57
	
	8.16
	V 30 02.00.13
	180 T57

	8.45	
	N 1'	02.00.48
	181	T58

DEVAGAR

PERIGO

	8.45	
	V 9	02.01.48
	182	T59

SIGA

OS BAMPS

	8.60	
	V 9	02.02.48
	183	T59

	8.68	
	V 15	02.03.20
	184	T60

	8.86	
	V 15	02.04.03
	185	T60


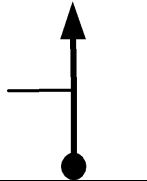
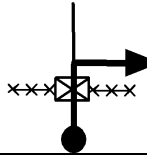
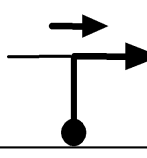
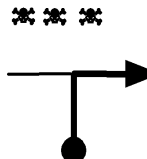
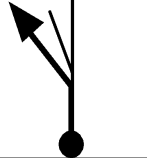
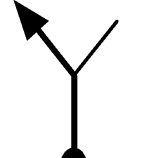
	9.01	
	V 27	02.04.39
	186	T61

	9.08
	V 27 02.04.49
	187 T61
	9.11
	V 27 02.04.53
	188 T61
	9.16
	V 27 02.04.59
	189 T61
	9.39
	V 27 02.05.30
	190 T61
	9.43
	0.00
	N 1' 02.05.35
191	T62
	0.00
	V 36 02.06.35
	192 T63
	0.54
	V 36 02.07.29
	193 T63

	0.58
	V 36 02.07.33
	194 T63
	0.90
	V 27 02.08.05
	195 T64
	1.42
	V 27 02.09.15
	196 T64
ACELERE	
	1.83
	V 27 02.10.09
	197 T64
	2.20
	V 24 02.10.59
	198 T65
	2.22
	V 24 02.11.02
	199 T65
	2.30
	V 24 02.11.14
	200 T65

	2.44
	V 24 02.11.35
	201 T65
	2.61
	V 24 02.12.00
	202 T65
	2.68
	V 24 02.12.11
	203 T65
	2.75
	V 24 02.12.21
	204 T65
	2.94
	V 24 02.12.50
	205 T65
	3.14
	V 24 02.13.20
	206 T65
	3.15
	V 24 02.13.21
	207 T65

	3.45
	V 12 02.14.06
	208 T66
	3.49
	V 12 02.14.18
	209 T66
	3.58
	V 24 02.14.45
	210 T67
	3.76
	V 24 02.15.12
	211 T67
	3.77
	V 24 02.15.14
	212 T67
	3.89
	V 24 02.15.32
	213 T67
	4.05
	N 1' 02.15.56
	214 T68

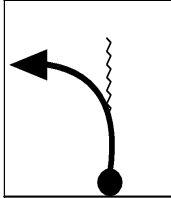
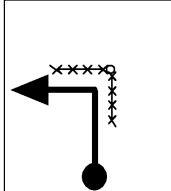
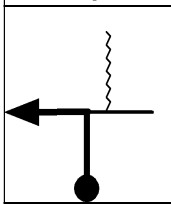
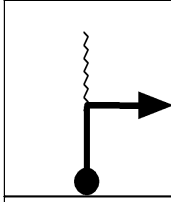
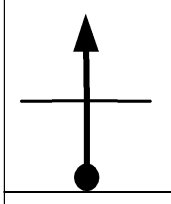
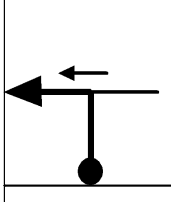
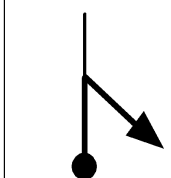
	4.05	V 24 02.16.56
	215	T69
		4.08
	216	T69
	4.14	V 24 02.17.09
	217	T69
		4.49
	218	T69
	4.53	V 39 02.18.08
	219	T70
		4.78
	220	T71
	4.81	V 30 02.18.34
	221	T71

	4.90
	V 30 02.18.45
	222 T71
	4.99
	V 30 02.18.56
	223 T71
	5.21
	V 24 02.19.22
	224 T72
	5.39
	V 24 02.19.49
	225 T72
	5.58
	V 21 02.20.18
	226 T73
	5.68
	V 21 02.20.35
	227 T73
	5.83
	V 21 02.21.01
	228 T73


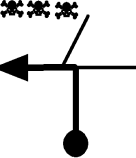



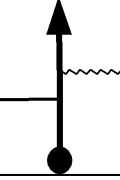

	5.92	
	V 21	02.21.16
	229	T73
	6.02	
	V 21	02.21.33
	230	T73
	6.12	
	V 21	02.21.50
	231	T73
	6.29	
	V 21	02.22.19
	232	T73
	6.50	
	V 30	02.22.55
	233	T74
	6.66	
	V 30	02.23.15
	234	T74
	7.07	
	V 15	02.24.04
	235	T75

	7.13	
	V 30	02.24.18
	236	T76
	7.22	
	V 30	02.24.29
	237	T76
	7.25	
	V 30	02.24.33
	238	T76
	7.38	
	V 30	02.24.48
	239	T76
	7.53	
	V 30	02.25.06
	240	T76
	7.63	
	V 30	02.25.18
	241	T76

	7.66
	V 24 02.25.22
	242 T77
	7.76
	V 24 02.25.37
	243 T77
	7.78
	V 24 02.25.40
	244 T77
	7.88
	N 1' 02.25.55
	245 T78
	7.88
	V 30 02.26.55
	246 T79
	8.19
	V 30 02.27.32
	247 T79
	8.30
	V 27 02.27.45
	248 T80

	8.48	
	V 27	02.28.09
	249	T80
	8.64	
	V 27	02.28.31
	250	T80
	8.71	
	V 27	02.28.40
	251	T80
	8.76	
	V 27	02.28.47
	252	T80
	8.82	
	V 27	02.28.55
	253	T80
	9.22	
	V 27	02.29.48
	254	T80
	9.24	
	V 27	02.29.51
	255	T80

	9.34	
	V 27	02.30.04
	256	T80
	9.39	
	V 27	02.30.11
	257	T80
	9.47	
	V 21	02.30.21
	258	T81
	9.56	
	V 27	02.30.37
	259	T82
	9.58	
	V 27	02.30.39
	260	T82
	9.65	
	V 27	02.30.49
	261	T82
	9.67	
	V 27	02.30.51
	262	T82

	9.89
	V 27 02.31.21
	263 T82
	10.02
	0.00
	N 1' 02.31.38
264	T83
	0.00
	V 36 02.32.38
	265 T84
	0.14
	V 36 02.32.52
	266 T84
	0.22
	V 36 02.33.00
	267 T84
	0.40
	V 36 02.33.18
	268 T84
	0.52
	V 36 02.33.30
	269 T84

	0.73	
	V 36	02.33.51
	270	T84

	1.07	
	V 36	02.34.25
	271	T84

	1.59	
	V 24	02.35.17
	272	T85

	2.13	
	V 12	02.36.38
	273	T86




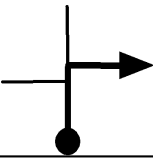
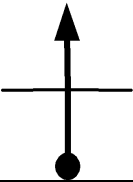


CUIDADO

DESCIDA PERIGOSA

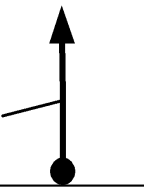
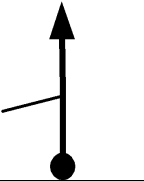
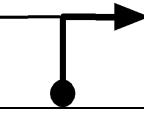
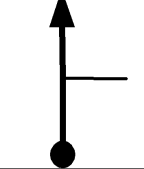
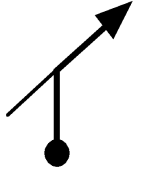
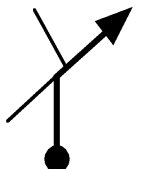
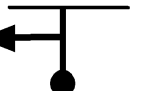
	2.14	
	V 12	02.36.41
	274	T86

	2.27	
	V 9	02.37.20
	275	T87

	2.57	
	NI'30	02.39.20
	276	T88

	2.57
	V 30 02.40.50
	277 T89
	2.86
	V 30 02.41.25
	278 T89
	2.96
	V 30 02.41.37
	279 T89
	3.09
	V 27 02.41.52
	280 T90
	3.33
	V 27 02.42.24
	281 T90
	3.37
	V 27 02.42.30
	282 T90
	3.40
	V 27 02.42.34
	283 T90

	3.80	V 27	02.43.27
	284	T90	
	3.96	V 27	02.43.48
	285	T90	
	4.01	V 27	02.43.55
	286	T90	
	4.17	V 27	02.44.16
	287	T90	
	4.33	V 27	02.44.38
	288	T90	
	4.73	V 27	02.45.31
	289	T90	
	4.86	V 27	02.45.48
	290	T90	

	4.90	
	V 27	02.45.54
	291	T90
	4.94	
	V 27	02.45.59
	292	T90
	5.11	
	V 27	02.46.22
	293	T90
	5.26	
	V 27	02.46.42
	294	T90
	5.36	
	V 27	02.46.55
	295	T90
	5.48	
	V 27	02.47.11
	296	T90
	5.52	
	V 27	02.47.16
	297	T90

	5.67	
	V 27	02.47.36
	298	T90

	6.03	
	V 27	02.48.24
	299	T90

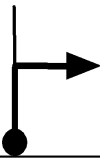


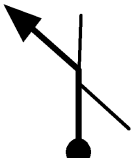
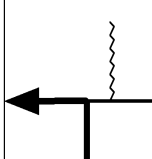

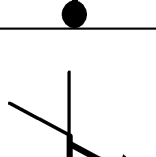


	6.18	
	V 27	02.48.44
	300	T90

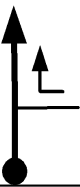


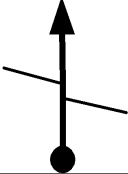

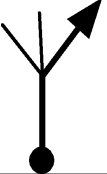

	6.40	
	V 27	02.49.14
	301	T90

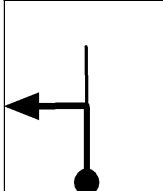
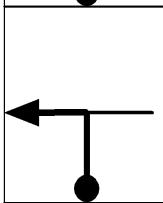
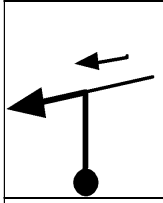
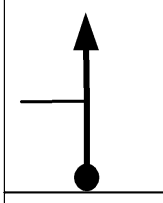
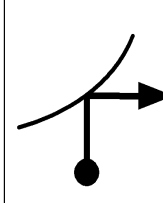
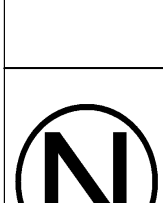
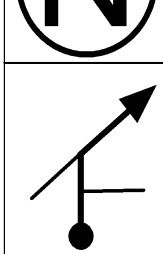
	6.51	
	V 27	02.49.28
	302	T90

	6.60	
	V 15	02.49.40
	303	T91

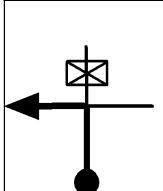
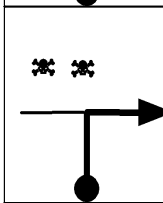
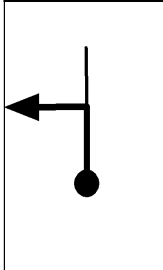
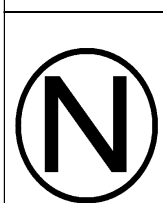
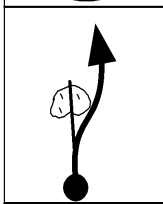
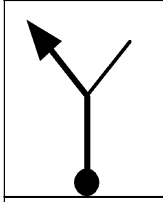
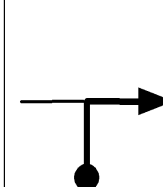
	6.61	
	V 15	02.49.43
	304	T91
	6.65	
	V 30	02.49.52
	305	T92
	7.02	
	V 30	02.50.37
	306	T92
	7.11	
	V 30	02.50.48
	307	T92
	7.30	
	V 24	02.51.10
	308	T93
	7.53	
	V 27	02.51.45
	309	T94
	7.62	
	V 24	02.51.57
	310	T95

	8.41	
	V 24	02.53.55
	311	T95
	8.48	
	V 24	02.54.06
	312	T95
	8.69	
	V 24	02.54.37
	313	T95
	8.77	
	V 24	02.54.49
	314	T95
	8.83	
	V 24	02.54.58
	315	T95
	8.91	
	V 15	02.55.10
	316	T96
	8.92	
	V 15	02.55.13
	317	T96

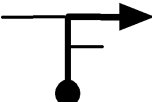
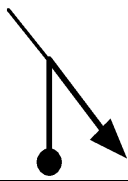



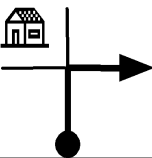
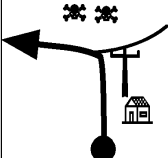
	8.94
	V 15 02.55.18
	318 T96
	8.98
	V 27 02.55.27
	319 T97
	9.34
	V 27 02.56.15
	320 T97
	9.44
	V 27 02.56.29
	321 T97
	9.74
	V 27 02.57.09
	322 T97
	9.80
	V 27 02.57.17
	323 T97
	10.01
	V 12 02.57.45
	324 T98

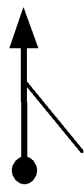
	10.02	V 12	02.57.48
		325	T98
	10.03	V 12	02.57.51
		326	T98
	10.04	V 12	02.57.54
		327	T98
	10.05	V 27	02.57.57
		328	T99
	10.31		
	0.00	N 1'	02.58.31
		329	T100
	0.00	V 24	02.59.31
		330	T101
	0.10	V 24	02.59.46
		331	T101

	0.13	
	V 24	02.59.51
	332	T101
	0.64	
	V 24	03.01.07
	333	T101
	1.01	
	V 24	03.02.03
	334	T101
	1.07	
	V 24	03.02.12
	335	T101
	1.43	
	V 36	03.03.06
	336	T102
	1.73	
	V 36	03.03.36
	337	T102
	1.92	
	V 36	03.03.55
	338	T102

	2.79
	V 36 03.05.22
	339 T102
	3.18
	V 36 03.06.01
	340 T102
	3.37
	0.00
	NI'30 03.06.20
	341 T103
	0.00
	V 30 03.07.50
	342 T104
	0.08
	V 30 03.07.59
	343 T104
	0.48
	V 30 03.08.47
	344 T104
	0.63
	V 30 03.09.05
	345 T104

	0.84
	V 30 03.09.30
	346 T104
	1.00
	V 30 03.09.50
	347 T104
	1.27
	V 30 03.10.22
	348 T104
	1.56
	V 30 03.10.57
	349 T104
	1.81
	V 18 03.11.27
	350 T105
	2.31
	V 18 03.13.07
	351 T105
	2.38
	V 18 03.13.21
	352 T105

	2.47
	V 18 03.13.39
	353 T105
	2.70
	V 27 03.14.25
	354 T106
	3.16
	V 27 03.15.26
	355 T106
	3.19
	V 27 03.15.30
	356 T106
	3.95
	V 24 03.17.12
	357 T107
	4.00
	V 15 03.17.19
	358 T108
	4.20
	V 30 03.18.07
	359 T109



4.82

0.00

V 30 03.19.21

360 T110

FIM DE PROVA !!



www.t15.com.br

PARABÉNS VOCÊ CONSEGUIU, ATÉ 2018.

A DIRETORIA DO MTC AGRADECE A PARTICIPAÇÃO DE TODOS OS PILOTOS PELA PARTICIPAÇÃO NO CAMPEONATO, E DESDE JÁ CONVIDA A TODOS PARA PARTICIPAR DA FESTA DE ENCERRAMENTO E ENTREGA DA PREMIAÇÃO DAS COPAS DE ENDURO DE REGULARIDADE E ENDURO FIM QUE SERÁ NO DIA 25/11/2017

Tempo de Prova

MÉDIA C 03:19:21

FIM