

INICIO

MÉDIA A

1º ENDURO DAS CACHOEIRAS
04 DE NOVEMBRO DE 2017



IMPORTANTE

O PILOTO QUE ANDAR SEM
CAPACETE ANTES DA PROVA SERA
PENALIZADO COM A
DESCCLASSIFICAÇÃO.
RESPEITE AS ROÇAS PARA TERMOS
TRILHAS.

CUIDADO

ATENÇÃO

MUITA ATENÇÃO

Tempo de Prova

MÉDIA A 03:16:05



AFERIÇÃO

INICIO AFERIÇÃO

0.00		1	AFER
0.63		2	AFER
0.80		3	AFER

1.04		4	AFER
1.11		5	AFER
1.86		6	AFER
2.20		7	AFER
2.23		8	AFER

EUCALIPTO
COM BAMP

FIM DA AFERIÇÃO
VOLTE AO INICIO
COM CUIDADO

2.45		9	AFER
0.00			



INÍCIO DE PROVA


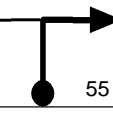
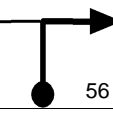
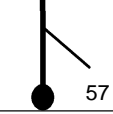
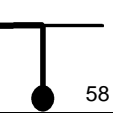
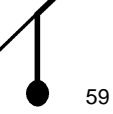
0.00		10	V	T1	42 00.00.00
CUIDADO MOTOS					

1.33		11	V	T2	33 00.01.54
1.37		12	V	T2	33 00.01.58
1.39		13	V	T2	33 00.02.01
3.09		14	V	T2	33 00.05.06
3.15		15	V	T2	33 00.05.13
3.66		16	V	T2	33 00.06.08
3.74		17	V	T3	36 00.06.17
3.96		18	V	T3	36 00.06.39
4.22		19	V	T4	24 00.07.05
4.26		20	V	T4	24 00.07.11
4.48		21	V	T5	36 00.07.44


04 DE NOVEMBRO DE 2017		Pág: 003	
4.75		36	00.08.11
		V	T5
4.87		36	00.08.23
		V	T5
4.90		36	00.08.26
		V	T5
4.99		30	00.08.35
		V	T6
CUIDADO MOTOS			
5.07		30	00.08.44
		V	T6
5.10		30	00.08.48
		V	T6
5.19		30	00.08.59
		V	T6
5.28		30	00.09.10
		V	T6
5.53		30	00.09.40
		V	T6
CUIDADO DESCIDA LISA			
5.56		21	00.09.43
		V	T7


04 DE NOVEMBRO DE 2017		Pág: 004	
5.64		21	00.09.57
		V	T7
5.72		21	00.10.11
		V	T7
5.85		18	00.10.33
		V	T8
5.89		18	00.10.41
		V	T8
5.99		3'	00.11.01
0.00		N	T9
0.00		33	00.14.01
		V	T10
0.50		33	00.14.56
		V	T10
0.58		36	00.15.04
		V	T11
0.80		36	00.15.26
		V	T11
1.07		36	00.15.53
		V	T11
1.19		36	00.16.05
		V	T11


04 DE NOVEMBRO DE 2017		Pág: 005	
1.22		36	00.16.08
		V	T11
1.31		36	00.16.17
		V	T11
1.40		33	00.16.26
		V	T12
1.48		33	00.16.35
		V	T12
1.59		33	00.16.47
		V	T12
1.65		33	00.16.54
		V	T12
1.84		33	00.17.14
		V	T12
1.93		33	00.17.24
		V	T12
1.97		33	00.17.28
		V	T12
2.08		33	00.17.40
		V	T12
2.28		33	00.18.02
		V	T12


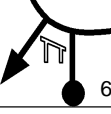
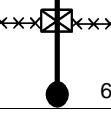
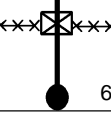
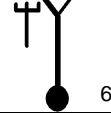
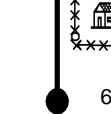
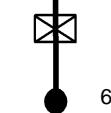
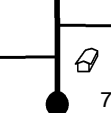
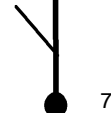
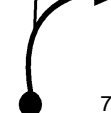

2.34		33	00.18.09
		V	T12
2.44		33	00.18.20
		V	T12
2.47		33	00.18.23
		V	T12
2.58		33	00.18.35
		V	T12
2.88		36	00.19.08
		V	T13
3.08		36	00.19.28
		V	T13

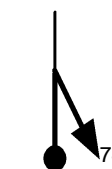
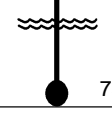
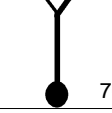
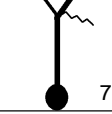
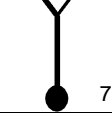
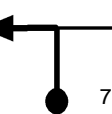
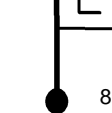
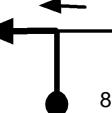


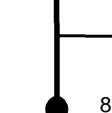



3.94		12	00.20.54
		V	T14
DEVAGAR			
RESPEITE AS CASAS			

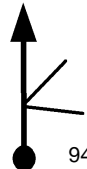
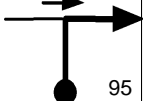
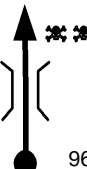
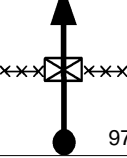
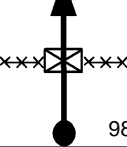
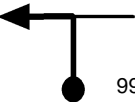

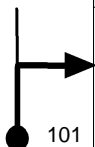
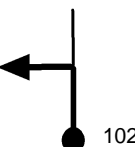
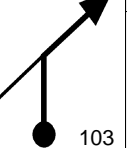
4.02		12	00.21.18
		V	T14

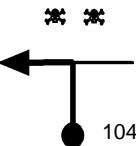
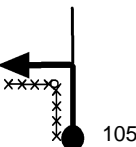
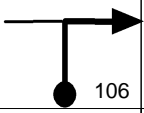
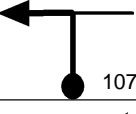


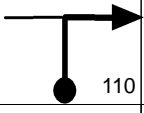
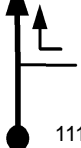

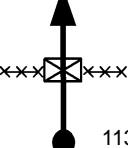
4.18		3'	00.22.06
		N	T15

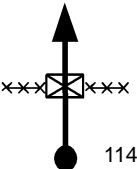
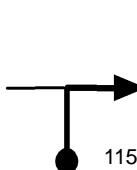

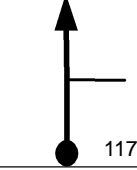
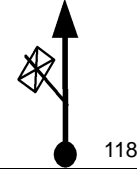
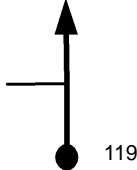

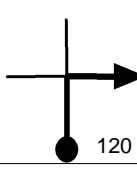
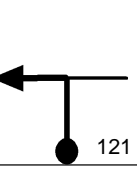
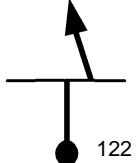
4.18		30	00.25.06
		V	T16
4.35		30	00.25.26
		V	T16
5.00		30	00.26.44
		V	T16
5.10		30	00.26.56
		V	T16
5.17		30	00.27.05
		V	T16
5.22		30	00.27.11
		V	T16
5.43		27	00.27.36
		V	T17
6.56		30	00.30.06
		V	T18
6.67		30	00.30.20
		V	T18
7.00		30	00.30.59
		V	T18
7.47		30	00.31.56
		V	T18

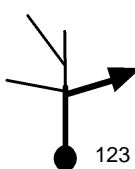
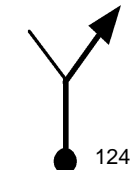
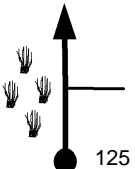

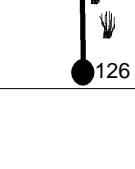
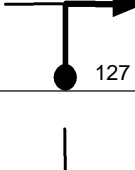
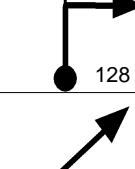
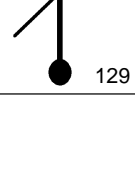
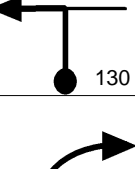
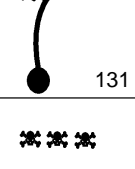
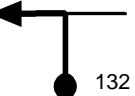
7.73		36	00.32.27
		V	T19
7.79		36	00.32.33
		V	T19
7.84		36	00.32.38
		V	T19
8.26		36	00.33.20
		V	T19
8.41		36	00.33.35
		V	T19
8.68		36	00.34.02
		V	T19
8.75		36	00.34.09
		V	T19
9.71		3'	00.35.45
0.00		N	T20
0.00		33	00.38.45
		V	T21
0.06		33	00.38.51
		V	T21
0.09		33	00.38.55
		V	T21


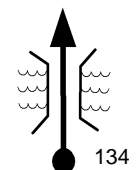
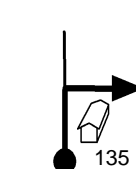
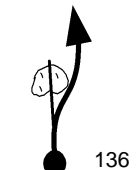
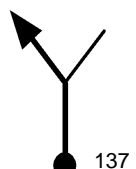
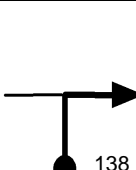
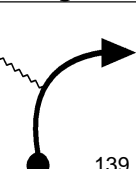
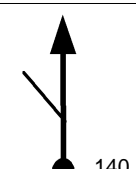
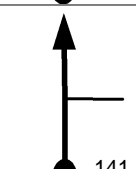
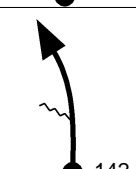
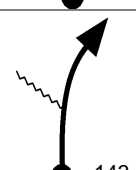
04 DE NOVEMBRO DE 2017		Pág: 009	
1.56		36	00.41.35
		V	T22
1.84		36	00.42.03
		V	T22
1.87		36	00.42.06
		V	T22
RESPEITE AS ROÇAS			
1.92		24	00.42.11
		V	T23
2.03		33	00.42.27
		V	T24
CUIDADO PERIGO			
ACERTAR ODOMETRO LARGAR DO NEUTRO COM 0,11			
2.37		3'	00.43.05
0.00		N	T25
0.00		36	00.46.05
		V	T26
0.65		33	00.47.10
		V	T27
1.72		33	00.49.06
		V	T27



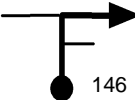
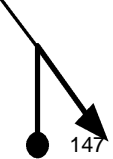


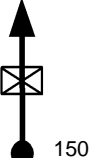
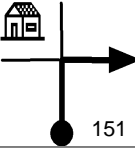
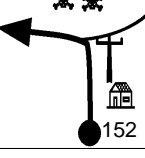
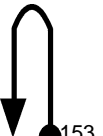
04 DE NOVEMBRO DE 2017		Pág: 010	
1.83		33	00.49.18
		V	T27
1.98		27	00.49.35
		V	T28
CUIDADO PERIGO			
2.33		33	00.50.21
		V	T29
2.80		33	00.51.13
		V	T29
2.92		33	00.51.26
		V	T29
		3'	00.51.35
3.01		N	T30
		30	00.54.35
3.01		V	T31
		30	00.55.43
3.57		V	T31
		30	00.55.50
3.63		V	T31
		30	00.55.58
3.70		V	T31



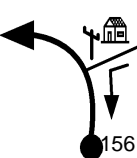
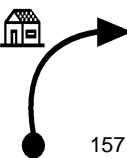
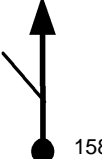
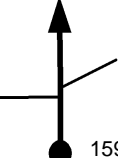

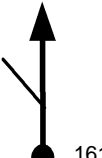

04 DE NOVEMBRO DE 2017		Pág: 011	
3.74		30	00.56.03
		V	T31
4.47		36	00.57.31
		V	T32
		36	00.57.46
4.62		V	T32
		30	00.57.50
4.66		V	T33
		30	00.57.58
4.73		V	T33
		30	00.57.59
4.74		V	T33
		30	00.58.00
4.75		V	T33
		27	01.00.03
5.77		V	T34
CUIDADO PERIGO			
6.12		33	01.00.50
		V	T35
6.59		33	01.01.41
		V	T35

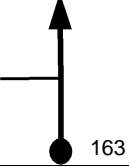
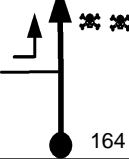
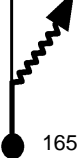
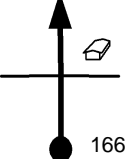
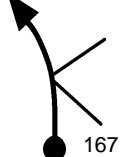
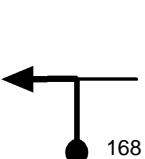
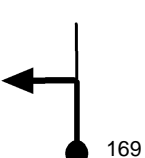

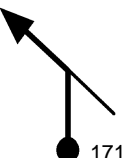
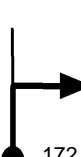
6.71		33	01.01.54	V	T35
6.80		3'	01.02.04	N	T36
6.80		36	01.05.04	V	T37
6.86		36	01.05.10	V	T37
7.05		36	01.05.29	V	T37
8.00		36	01.07.04	V	T37
					
8.03		27	01.07.07	V	T38
8.07		27	01.07.12	V	T38
8.12		27	01.07.19	V	T38

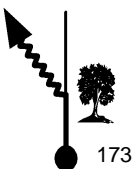
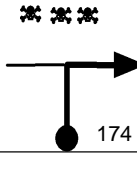

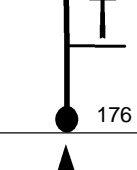
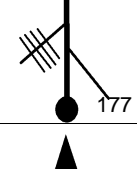



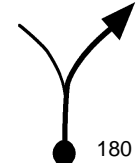
8.37		33	01.07.52	V	T39
8.44		33	01.08.00	V	T39
8.56		33	01.08.13	V	T39
RESPEITE AS ROÇAS					
8.66		33	01.08.24	V	T39
8.70		33	01.08.28	V	T39
8.70		33	01.08.29	V	T39
8.71		33	01.08.35	V	T39
8.76		33	01.08.46	V	T39
9.41		33	01.09.46	V	T39
9.67		33	01.10.14	V	T39
9.99		3'	01.10.49	N	T40



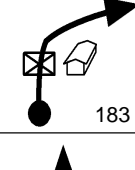
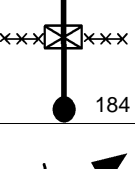
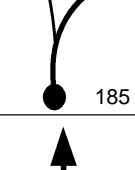
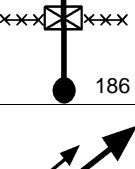
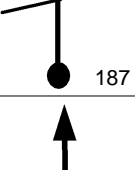
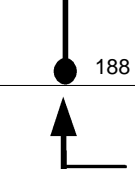
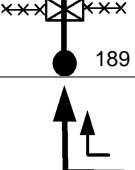
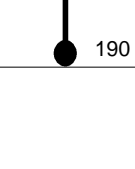
0.00		24	01.13.49	V	T41
0.07		24	01.13.59	V	T41
0.20 0.00		24	01.14.19	V	T42
0.08		36	01.14.31	V	T43
0.48		36	01.15.11	V	T43
0.63		36	01.15.26	V	T43
0.84		36	01.15.47	V	T43
1.00		36	01.16.03	V	T43
1.27		36	01.16.30	V	T43
1.56		36	01.16.59	V	T43
1.81		27	01.17.24	V	T44

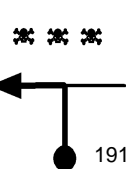

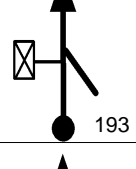
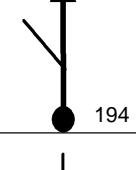
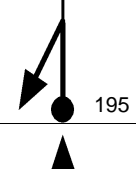

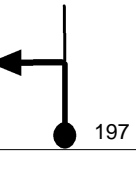
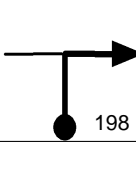
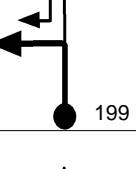
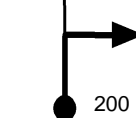
04 DE NOVEMBRO DE 2017		Pág: 015	
2.31		27	01.18.30
		V	T44
2.38		27	01.18.40
		V	T44
2.47		27	01.18.52
		V	T44
2.70		36	01.19.22
		V	T45
3.16		36	01.20.08
		V	T45
3.19		36	01.20.11
		V	T45
3.95		24	01.21.27
		V	T46
4.00		15	01.21.35
		V	T47
4.20		30	01.22.23
		V	T48
APOIO			
RETORNE			
4.82		20'	01.23.37
0.00		N	T49

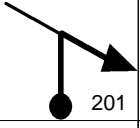
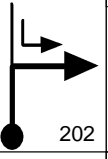
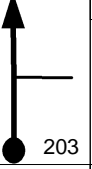
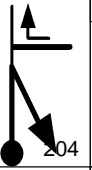
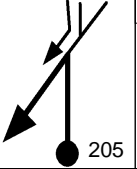
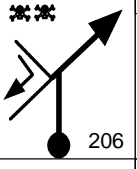
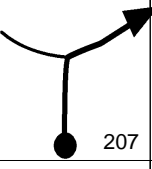
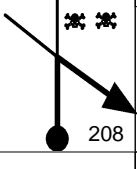
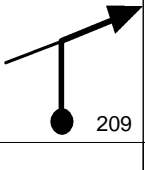
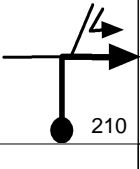
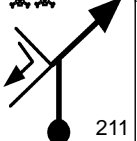
04 DE NOVEMBRO DE 2017		Pág: 016	
0.00		39	01.43.37
		V	T50
0.00		39	01.43.37
		V	T50
CUIDADO			
MOTOS			
SAINDO			
0.63		39	01.44.35
		V	T50
0.80		39	01.44.51
		V	T50
1.04		39	01.45.13
		V	T50
1.11		39	01.45.20
		V	T50
EUCALIPTO			
COM BAMP			
1.86		39	01.46.29
		V	T50
2.20		39	01.47.00
		V	T50
2.23		39	01.47.03
		V	T50

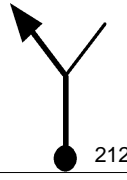
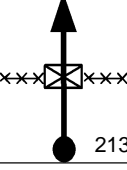
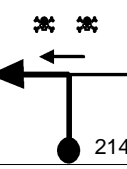

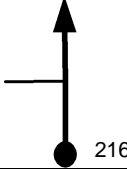
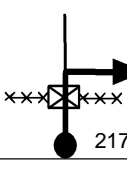
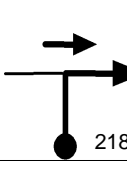
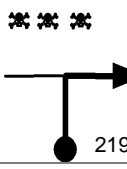
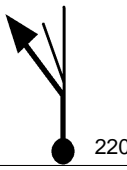
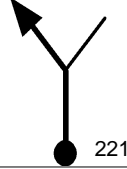
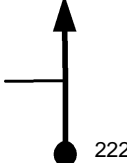
04 DE NOVEMBRO DE 2017		Pág: 017	
2.45		39	01.47.23
		V	T50
2.92		39	01.48.07
		V	T50
3.57		36	01.49.07
		V	T51
4.63		36	01.50.53
		V	T51
4.74		36	01.51.04
		V	T51
4.89		36	01.51.19
		V	T51
5.90		18	01.53.00
		V	T52
5.91		18	01.53.02
		V	T52
5.92		36	01.53.04
		V	T53
5.99		36	01.53.11
		V	T53
SIGA			
BAMPS			


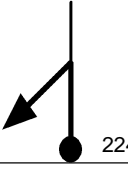
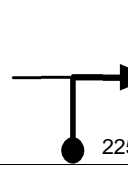

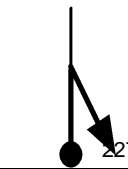
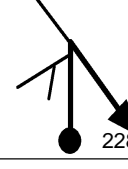
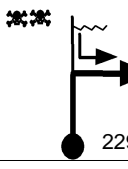
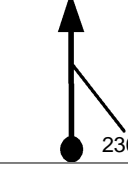
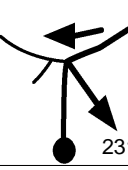

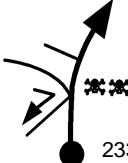
04 DE NOVEMBRO DE 2017		Pág: 018	
6.03		36	01.53.15
		V	T53
6.18		2'	01.53.30
		N	T54
6.18		45	01.55.30
		V	T55
6.90		39	01.56.27
		V	T56
7.13		39	01.56.49
		V	T56
7.81		36	01.57.51
		V	T57
CUIDADO			
PONTE			
ESTREITA			
8.11		36	01.58.21
		V	T57
			
8.16		36	01.58.26
		V	T57

04 DE NOVEMBRO DE 2017		Pág: 019	
8.45		1'	01.58.55
		N	T58
DEVAGAR			
PERIGO			
8.45		9	01.59.55
		V	T59
SIGA			
OS BAMPS			
8.60		9	02.00.55
		V	T59
8.68		24	02.01.27
		V	T60
8.86		24	02.01.54
		V	T60
9.01		33	02.02.17
		V	T61
9.08		33	02.02.25
		V	T61
9.11		33	02.02.28
		V	T61
9.16		33	02.02.33
		V	T61
9.39		33	02.02.58
		V	T61

04 DE NOVEMBRO DE 2017		Pág: 020	
9.43		2'	02.03.03
0.00		N	T62
0.00		36	02.05.03
		V	T63
0.54		36	02.05.57
		V	T63
0.58		36	02.06.01
		V	T63
0.90		39	02.06.33
		V	T64
1.42		39	02.07.21
		V	T64
ACELERE			
1.83		39	02.07.59
		V	T64
2.20		33	02.08.33
		V	T65
2.22		33	02.08.35
		V	T65
2.30		33	02.08.44
		V	T65

04 DE NOVEMBRO DE 2017		Pág: 021	
2.44		33	02.08.59
		V	T65
2.61		33	02.09.18
		V	T65
2.68		33	02.09.25
		V	T65
2.75		33	02.09.33
		V	T65
2.94		33	02.09.54
		V	T65
3.14		33	02.10.15
		V	T65
3.15		33	02.10.16
		V	T65
3.45		18	02.10.49
		V	T66
3.49		18	02.10.57
		V	T66
3.58		33	02.11.15
		V	T67
3.76		33	02.11.35
		V	T67

04 DE NOVEMBRO DE 2017		Pág: 022	
3.77		33	02.11.36
		V	T67
3.89		33	02.11.49
		V	T67
4.05		3'	02.12.06
		N	T68
4.05		33	02.15.06
		V	T69
4.08		33	02.15.10
		V	T69
4.14		33	02.15.16
		V	T69
4.49		33	02.15.54
		V	T69
4.53		39	02.15.59
		V	T70
4.78		36	02.16.22
		V	T71
4.81		36	02.16.25
		V	T71
4.90		36	02.16.34
		V	T71

04 DE NOVEMBRO DE 2017		Pág: 023	
4.99		36	02.16.43
		V	T71
5.21		33	02.17.05
		V	T72
5.39		33	02.17.24
		V	T72
5.58		30	02.17.45
		V	T73
5.68		30	02.17.57
		V	T73
5.83		30	02.18.15
		V	T73
5.92		30	02.18.26
		V	T73
6.02		30	02.18.38
		V	T73
6.12		30	02.18.50
		V	T73
6.29		30	02.19.10
		V	T73
6.50		39	02.19.36
		V	T74


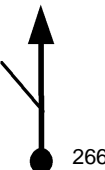
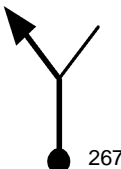
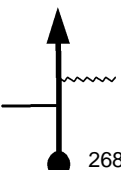

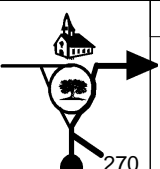
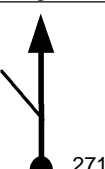
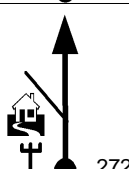
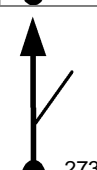
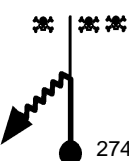
6.66		39	02.19.50
		V	T74
7.07		24	02.20.28
		V	T75
7.13		39	02.20.37
		V	T76
7.22		39	02.20.46
		V	T76
7.25		39	02.20.48
		V	T76
7.38		39	02.21.00
		V	T76

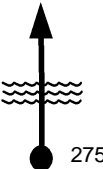




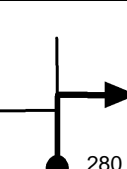
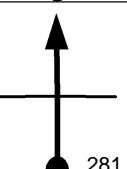

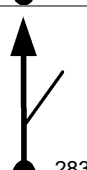

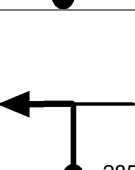



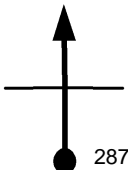


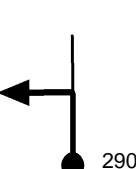
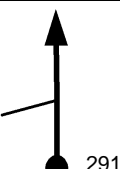
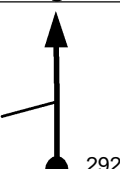
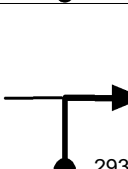
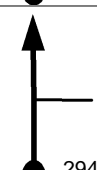


7.53		39	02.21.14
		V	T76
7.63		39	02.21.23
		V	T76
7.66		33	02.21.26
		V	T77

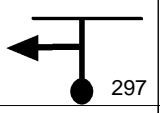
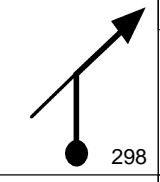
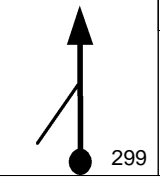

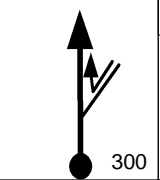
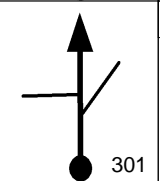
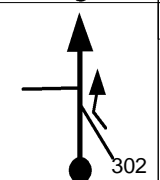
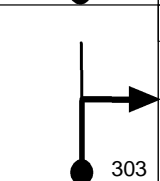
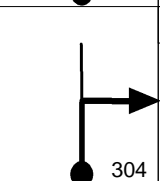
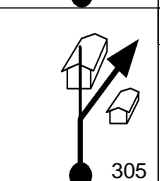
7.76		33	02.21.37
		V	T77
7.78		33	02.21.39
		V	T77
7.88		3'	02.21.50
		N	T78
7.88		39	02.24.50
		V	T79
8.19		39	02.25.19
		V	T79
8.30		36	02.25.29
		V	T80
8.48		36	02.25.47
		V	T80
8.64		36	02.26.03
		V	T80
8.71		36	02.26.10
		V	T80
8.76		36	02.26.15
		V	T80
8.82		36	02.26.21
		V	T80

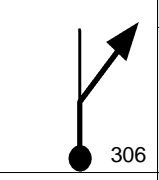
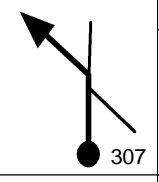
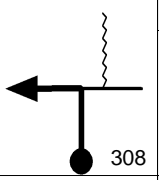
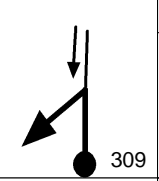
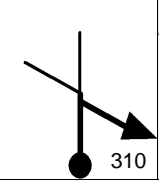
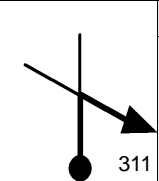
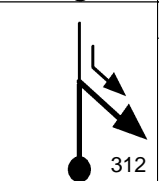
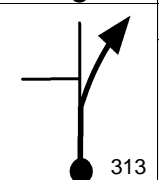
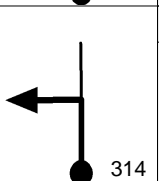
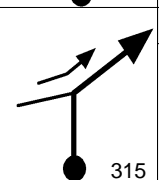
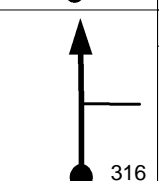
9.22		36	02.27.01
		V	T80
9.24		36	02.27.03
		V	T80
9.34		36	02.27.13
		V	T80
9.39		36	02.27.18
		V	T80
9.47		27	02.27.26
		V	T81
9.56		36	02.27.38
		V	T82
9.58		36	02.27.40
		V	T82
9.65		36	02.27.47
		V	T82
9.67		36	02.27.49
		V	T82
9.89		36	02.28.11
		V	T82
10.02		3'	02.28.24
0.00		N	T83

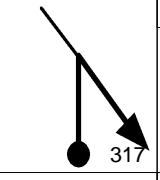
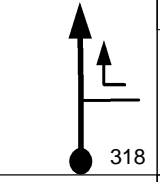
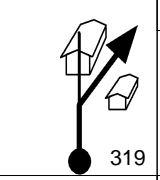
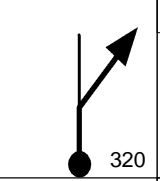
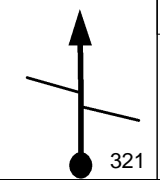
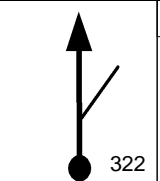
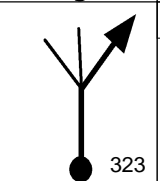
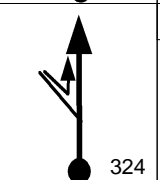
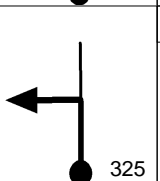
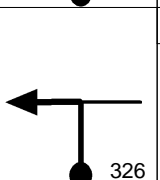
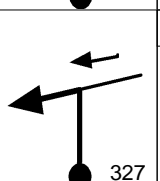
04 DE NOVEMBRO DE 2017		Pág: 027	
0.00		30	02.31.24
		V	T84
0.14		30	02.31.41
		V	T84
0.22		30	02.31.50
		V	T84
0.40		30	02.32.12
		V	T84
0.52		30	02.32.26
		V	T84
0.73		30	02.32.51
		V	T84
1.07		30	02.33.32
		V	T84
1.59		33	02.34.35
		V	T85
2.13		21	02.35.34
		V	T86
CUIDADO			
DESCIDA PERIGOSA			
2.14		21	02.35.35
		V	T86

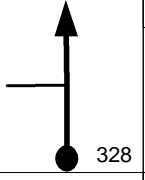
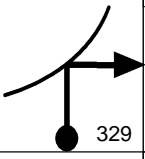

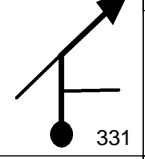
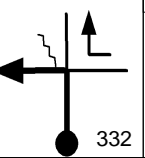
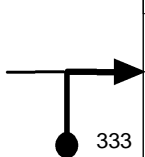
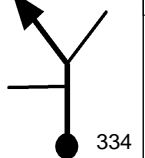
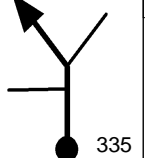
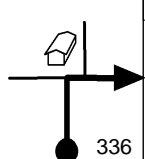
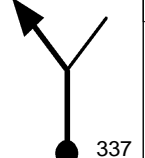
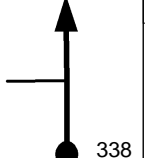
04 DE NOVEMBRO DE 2017		Pág: 028	
2.27		15	02.35.58
		V	T87
2.57		3'	02.37.10
		N	T88
2.57		30	02.40.10
		V	T89
2.86		30	02.40.44
		V	T89
2.96		30	02.40.56
		V	T89
3.09		36	02.41.12
		V	T90
3.33		36	02.41.36
		V	T90
3.37		36	02.41.40
		V	T90
3.40		36	02.41.43
		V	T90
3.80		36	02.42.23
		V	T90
3.96		36	02.42.39
		V	T90

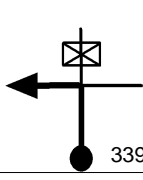
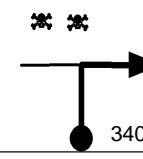
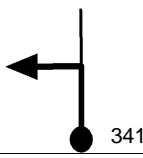

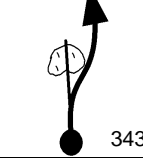
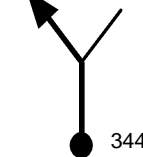
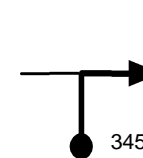
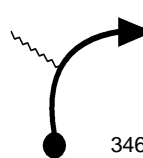
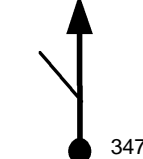
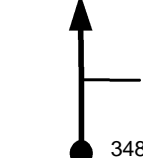
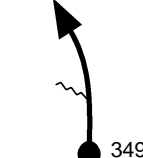
04 DE NOVEMBRO DE 2017		Pág: 029	
4.01		36	02.42.44
		V	T90
4.17		36	02.43.00
		V	T90
4.33		36	02.43.16
		V	T90
4.73		36	02.43.56
		V	T90
4.86		36	02.44.09
		V	T90
4.90		36	02.44.13
		V	T90
4.94		36	02.44.17
		V	T90
5.11		36	02.44.34
		V	T90
5.26		36	02.44.49
		V	T90
5.36		36	02.44.59
		V	T90
5.48		36	02.45.11
		V	T90

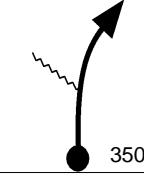
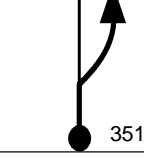

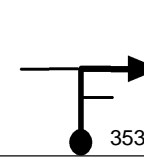

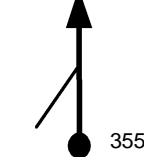
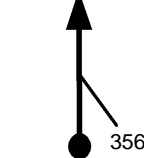
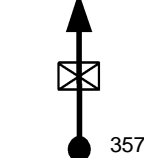
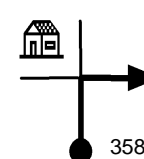
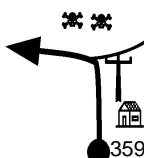

04 DE NOVEMBRO DE 2017		Pág: 030	
5.52		36	02.45.15
		V	T90
5.67		36	02.45.30
		V	T90
6.03		36	02.46.06
		V	T90
			
6.18		36	02.46.21
		V	T90
6.40		36	02.46.43
		V	T90
6.51		36	02.46.54
		V	T90
6.60		21	02.47.03
		V	T91
6.61		21	02.47.05
		V	T91
6.65		36	02.47.12
		V	T92

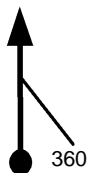
04 DE NOVEMBRO DE 2017		Pág: 031	
7.02		36	02.47.49
		V	T92
7.11		36	02.47.58
		V	T92
7.30		30	02.48.17
		V	T93
7.53		36	02.48.44
		V	T94
7.62		33	02.48.53
		V	T95
8.41		33	02.50.19
		V	T95
8.48		33	02.50.27
		V	T95
8.69		33	02.50.50
		V	T95
8.77		33	02.50.59
		V	T95
8.83		21	02.51.05
		V	T95
8.91		21	02.51.14
		V	T96

04 DE NOVEMBRO DE 2017		Pág: 032	
8.92		21	02.51.16
		V	T96
8.94		21	02.51.19
		V	T96
8.98		36	02.51.26
		V	T97
9.34		36	02.52.02
		V	T97
9.44		36	02.52.12
		V	T97
9.74		36	02.52.42
		V	T97
9.80		36	02.52.48
		V	T97
10.01		18	02.53.09
		V	T98
10.02		18	02.53.11
		V	T98
10.03		18	02.53.13
		V	T98
10.04		18	02.53.15
		V	T98

04 DE NOVEMBRO DE 2017		Pág: 033	
10.05		36	02.53.17
		V	T99
10.31		3'	02.53.43
0.00		N	T100
0.00		33	02.56.43
		V	T101
0.10		33	02.56.54
		V	T101
0.13		33	02.56.57
		V	T101
0.64		33	02.57.53
		V	T101
1.01		33	02.58.33
		V	T101
1.07		33	02.58.40
		V	T101
1.43		33	02.59.19
		V	T102
1.73		33	02.59.52
		V	T102
1.92		33	03.00.12
		V	T102

04 DE NOVEMBRO DE 2017		Pág: 034	
2.79		33	03.01.47
		V	T102
3.18		33	03.02.30
		V	T102
3.37		4'	03.02.51
0.00		N	T103
0.00		36	03.06.51
		V	T104
0.08		36	03.06.59
		V	T104
0.48		36	03.07.39
		V	T104
0.63		36	03.07.54
		V	T104
0.84		36	03.08.15
		V	T104
1.00		36	03.08.31
		V	T104
1.27		36	03.08.58
		V	T104
1.56		36	03.09.27
		V	T104

04 DE NOVEMBRO DE 2017		Pág: 035	
1.81		27	03.09.52
		V	T105
2.31		27	03.10.58
		V	T105
2.38		27	03.11.08
		V	T105
2.47		27	03.11.20
		V	T105
2.70		36	03.11.50
		V	T106
3.16		36	03.12.36
		V	T106
3.19		36	03.12.39
		V	T106
3.95		24	03.13.55
		V	T107
4.00		15	03.14.03
		V	T108
4.20		30	03.14.51
		V	T109
			

4.82**0.00****30** 03.16.05**V T110****FIM DE PROVA !!**www.t15.com.br

PARABÉNS VOCÊ CONSEGUIU, ATÉ
2018.

A DIRETORIA DO MTC AGRADECE A
PARTICIPAÇÃO DE TODOS OS
PILOTOS PELA PARTICIPAÇÃO NO
CAMPEONATO, E DESDE JÁ
CONVIDA A TODOS PARA
PARTICIPAR DA FESTA DE
ENCERRAMENTO E ENTREGA DA
PREMIAÇÃO DAS COPAS DE ENDURO
DE REGULARIDADE E ENDURO FIM
QUE SERÁ NO DIA 25/11/2017

Tempo de Prova

MÉDIA A 03:16:05

FIM